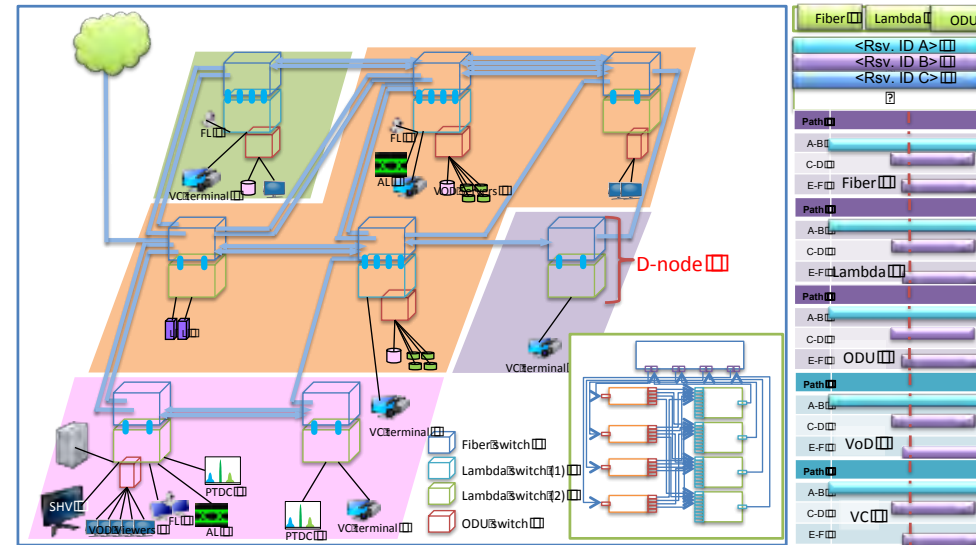
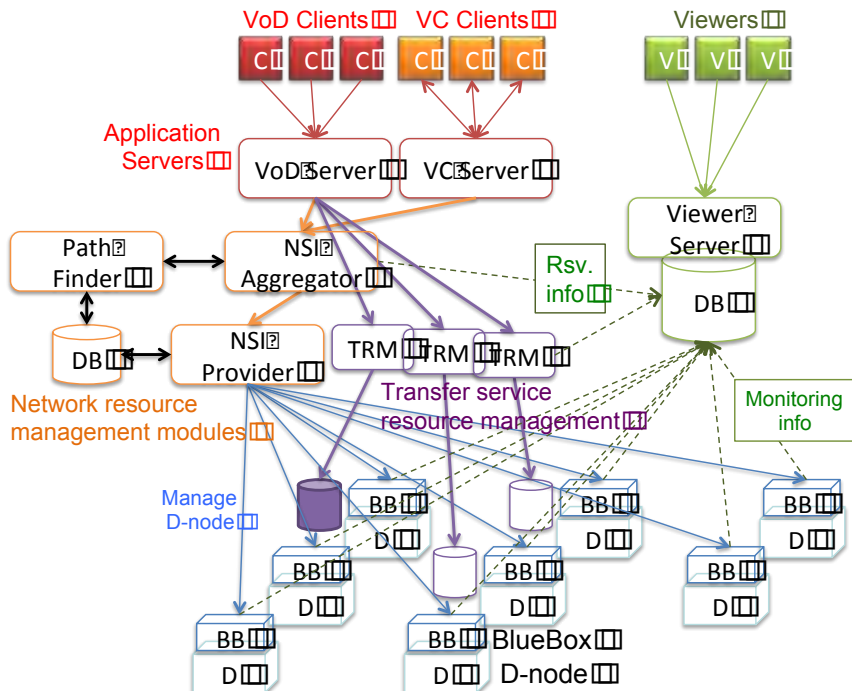


Hierarchical Multi-granular Path Network Resource Management

- Resource management of fiber, lambda and ODU paths over multiple dynamic network nodes (D-node)
- Network Services Interface (NSI), Connection Service v2 compliant resource service system based on on-demand or advance reservation
- Path finding based on the smallest “cost”
E.g., OSNR, power consumption
- Visualization of resource reservation and utilization statuses



Overview of resource viewer