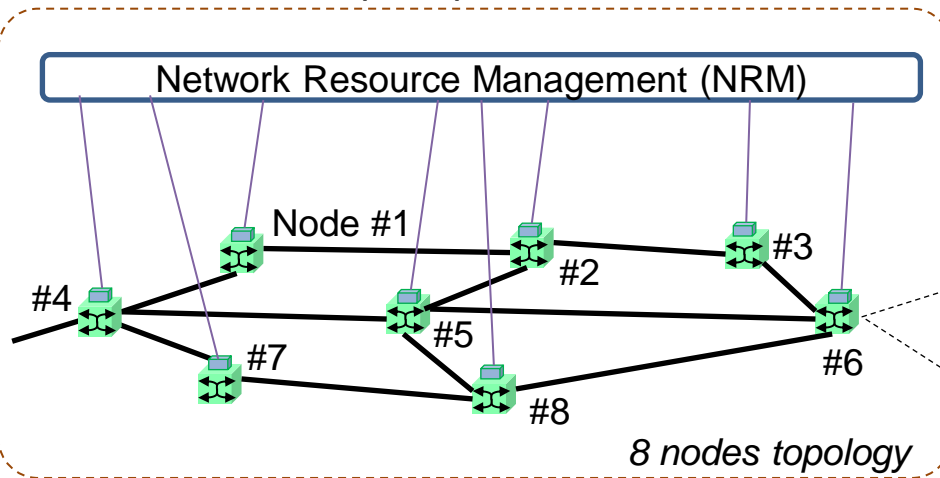


DOPN Demo

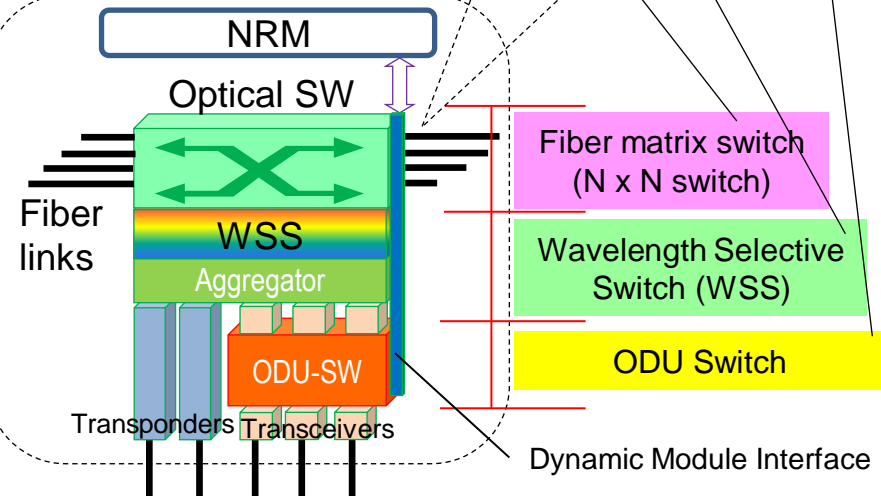
- Dynamic node system handles a large volume of data traffic using three layer switching functions that includes fiber path switch, wavelength selective switch (WSS) and optical data unit (ODU) switch. The system shows high granularity and flexible path arrangement.
- C/D/C ROADM system with silicon photonics transponder aggregators (TPAs) realizes flexible client signal connection with small footprint and low power consumption condition.
- ODU cross-connect switch based on a single LSI executes high performance path switching under the low-driving power.

AIST campus optical network



8 nodes topology

Dynamic node system



3 layers on the fiber path

